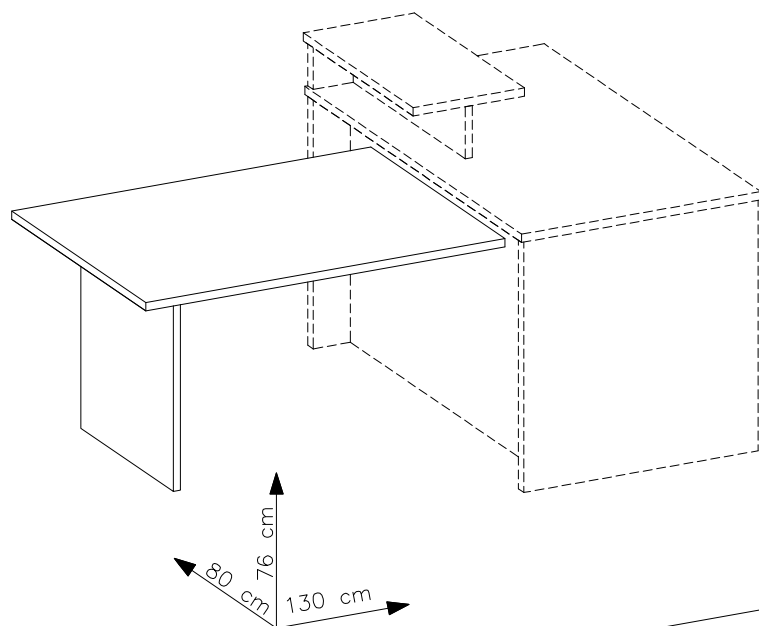
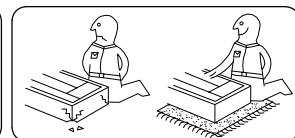
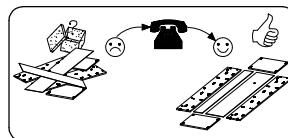
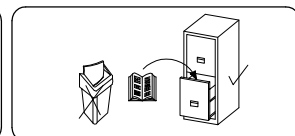
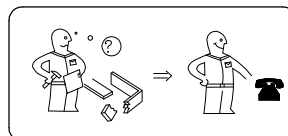
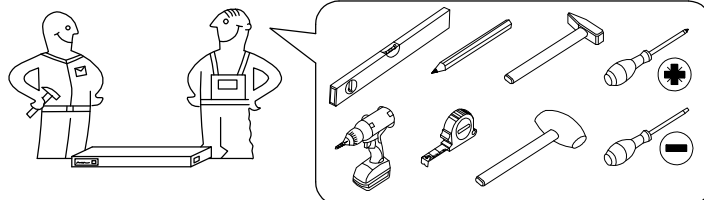
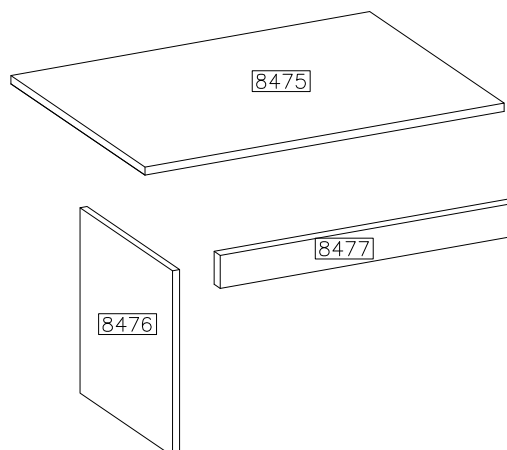


STOLIK DO WYSPY

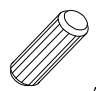
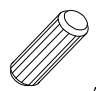
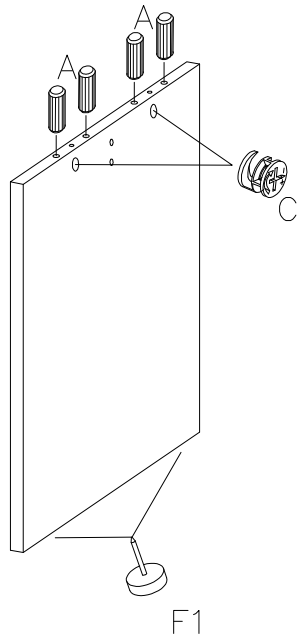
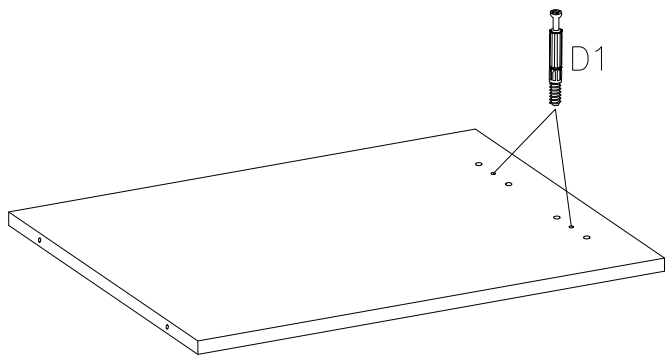
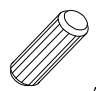




















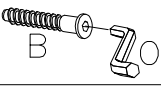




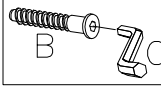





STOLIK DO WYSPY						
#	ART. NR	L	W	T	Q	Col.No
1	8475	1300	800	25	1	1
2	8476	460	730	25	1	1
3	8477	1080	120	25	1	1



ø8x30mm	ø15/12mm			ø7,0x50mm	ø7,0x60mm		
A	C	D1	E	B	B1	F1	O
4	2	2	2	4	2	2	1



1	<table border="1" style="border-collapse: collapse; width: 100%;"> <tr> <td style="text-align: center; vertical-align: middle;"> $\varnothing 8 \times 30 \text{mm}$  A </td> </tr> <tr> <td style="text-align: center; vertical-align: middle;"> 4 </td> </tr> </table>	$\varnothing 8 \times 30 \text{mm}$  A	4			
$\varnothing 8 \times 30 \text{mm}$  A						
4						
<table border="1" style="border-collapse: collapse; width: 100%;"> <tr> <td style="text-align: center; vertical-align: middle;">  D1 </td> <td style="text-align: center; vertical-align: middle;"> <table border="1" style="border-collapse: collapse; width: 100%;"> <tr> <td style="text-align: center; vertical-align: middle;"> $\varnothing 15 / 12 \text{mm}$  C </td> </tr> <tr> <td style="text-align: center; vertical-align: middle;"> 2 </td> </tr> </table> </td> </tr> <tr> <td style="text-align: center; vertical-align: middle;"> 2 </td> <td style="text-align: center; vertical-align: middle;"> 2 </td> </tr> </table>	 D1	<table border="1" style="border-collapse: collapse; width: 100%;"> <tr> <td style="text-align: center; vertical-align: middle;"> $\varnothing 15 / 12 \text{mm}$  C </td> </tr> <tr> <td style="text-align: center; vertical-align: middle;"> 2 </td> </tr> </table>	$\varnothing 15 / 12 \text{mm}$  C	2	2	2
 D1	<table border="1" style="border-collapse: collapse; width: 100%;"> <tr> <td style="text-align: center; vertical-align: middle;"> $\varnothing 15 / 12 \text{mm}$  C </td> </tr> <tr> <td style="text-align: center; vertical-align: middle;"> 2 </td> </tr> </table>	$\varnothing 15 / 12 \text{mm}$  C	2			
$\varnothing 15 / 12 \text{mm}$  C						
2						
2	2					
<table border="1" style="border-collapse: collapse; width: 100%;"> <tr> <td style="text-align: center; vertical-align: middle;">  F1 </td> </tr> <tr> <td style="text-align: center; vertical-align: middle;"> 2 </td> </tr> </table>	 F1	2				
 F1						
2						

2	<table border="1" style="border-collapse: collapse; width: 100%;"> <tr> <td style="text-align: center; vertical-align: middle;">  E </td> <td style="text-align: center; vertical-align: middle;"> $\varnothing 7,0 \times 60 \text{mm}$  B1 </td> <td style="text-align: center; vertical-align: middle;">  O </td> </tr> <tr> <td style="text-align: center; vertical-align: middle;"> 2 </td> <td style="text-align: center; vertical-align: middle;"> 2 </td> <td style="text-align: center; vertical-align: middle;"> 1 </td> </tr> </table>	 E	$\varnothing 7,0 \times 60 \text{mm}$  B1	 O	2	2	1	 B O	3	<table border="1" style="border-collapse: collapse; width: 100%;"> <tr> <td style="text-align: center; vertical-align: middle;"> $\varnothing 7,0 \times 50 \text{mm}$  B </td> <td style="text-align: center; vertical-align: middle;">  O </td> </tr> <tr> <td style="text-align: center; vertical-align: middle;"> 4 </td> <td style="text-align: center; vertical-align: middle;"> 1 </td> </tr> </table>	$\varnothing 7,0 \times 50 \text{mm}$  B	 O	4	1	 B O
 E	$\varnothing 7,0 \times 60 \text{mm}$  B1	 O													
2	2	1													
$\varnothing 7,0 \times 50 \text{mm}$  B	 O														
4	1														
